

Installation for Residential PC Ultima Decking

1 JOIST SPACING

- Maximum spacing of 16" on center for projects perpendicular to joists.
- Maximum spacing of 12" on center for projects diagonal to joists.
- Additional joist or blocking may be necessary for end to end installation. *See Diagram 1*

NOTE *Unobstructed air flow is required below deck. Add vents at various rim joist locations for decks with limited ventilation.*

2 BOARD SPACING

To compensate for eventual expansion, deck boards must be properly gapped during installation. *See Diagram 1*

- 1/4" gap required between building structure and deck boards.
- 1/8" gap required between all board edges.
- End to end spacing:
 - 1/8" gap required for temperatures above 60° degrees (during installation).
 - 1/4" gap required for temperatures below 60° degrees (during installation).

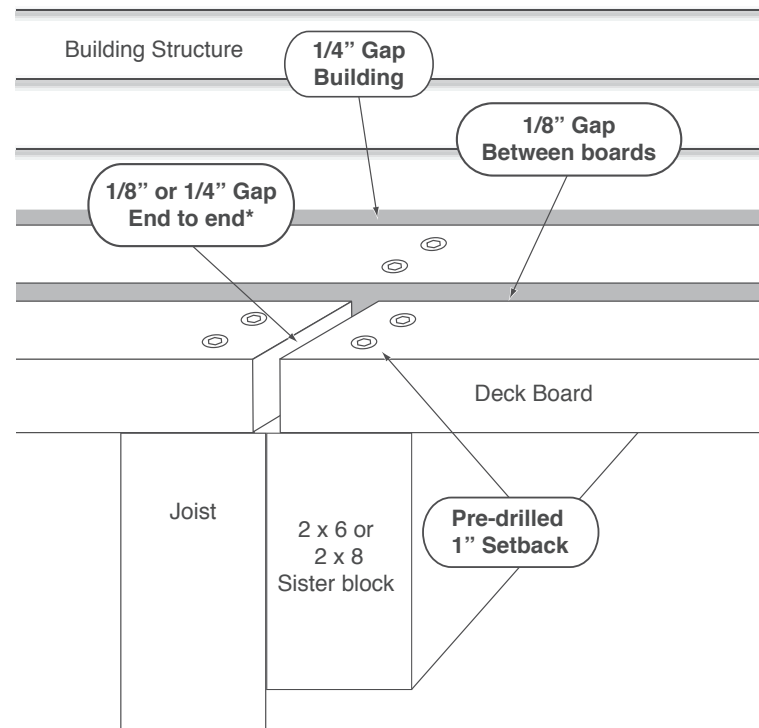
NOTE *Failure to adhere to board spacing guidelines will result in eventual cracking. The Warranty does not cover cracks generated by incorrect board spacing.*

3 FASTENING REQUIREMENTS

Composite Deck Screws, Stainless Steel Deck Screws, and Concealed Fastening Systems are accepted fasteners per manufacturer's guidelines.

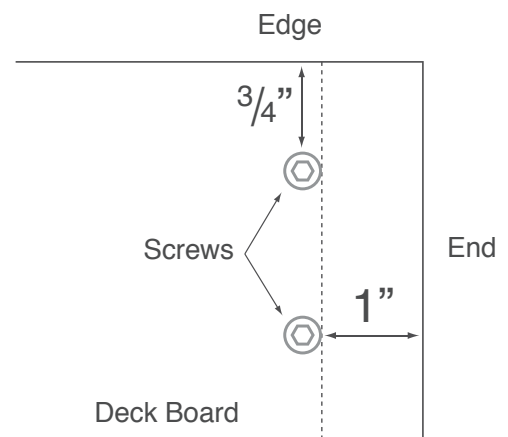
- All boards must have two screws at each end.
- Pre-drilled holes are required for all end fasteners.
- Pre-drilled fastener holes must be the same diameter as screw shaft for all end fasteners to prevent splitting.
- Fasteners must be installed a minimum of 1" (edge of fastener to edge of board) from the end and 3/4" from the edge of every board. *See Diagram 2*

Diagram 1



**Dependent upon temperature during installation*

Diagram 2



- Do not over tighten fasteners.
- Two fastening methods are accepted for installation.
 - Traditional method with screw near center of outside legs 3/4" from board edge. *See Diagram 3*
 - Using concealed fastening system. (See complete installation instructions on fastener box.)
- Screws must be driven at a 90° degree angle to decking surface. *See Diagram 4*

NOTE *Incorrect screw and/or fastener spacing will result in immediate or eventual deck board cracking and is not covered under the Warranty.*

Diagram 3

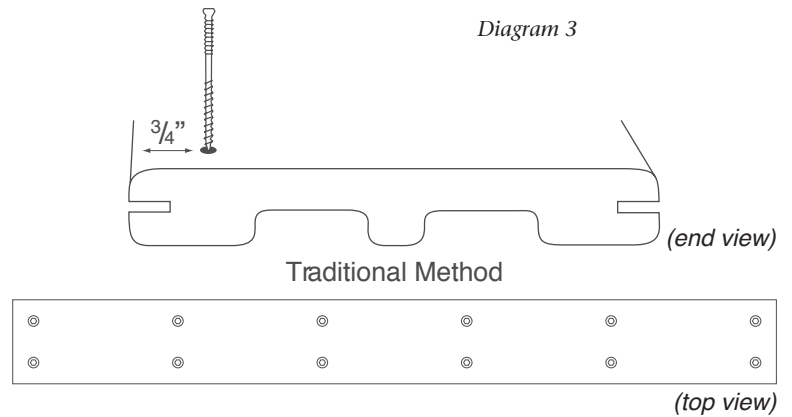
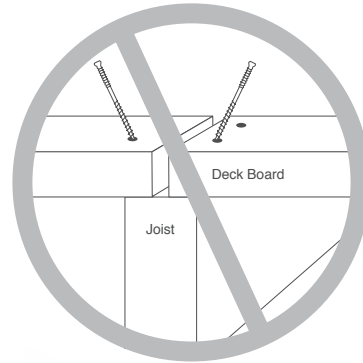
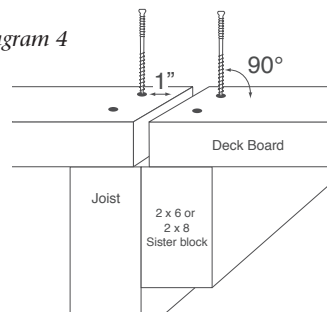


Diagram 4



4

FASCIA INSTALLATION

See Diagram 5

Predrill L-profile 7/8" from bottom of profile for screws.

- Place screw every 12" (do not fasten into edge of decking)

5

FASCIA INSTALLATION

See Diagram 5

- Pre-drilled holes are required for all fasteners.
- Substrate (rim joist) of lumber is required.
- Attach fascia with 3 screws every 12".
- Fasten a minimum of 2" from end and edge of board.

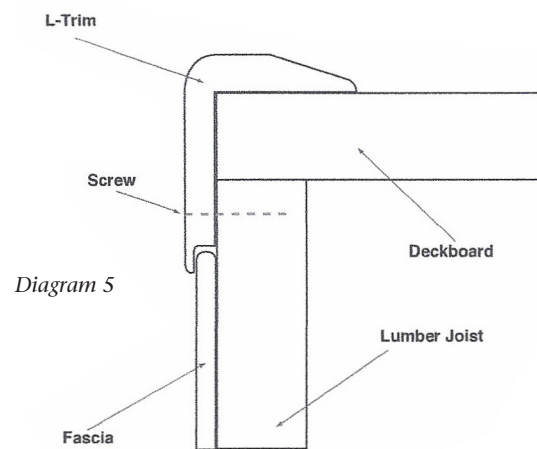


Diagram 5

Diagram 6

